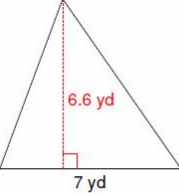
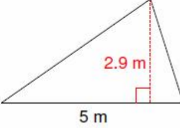
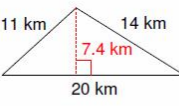
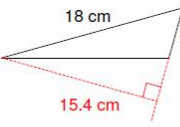
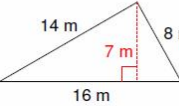
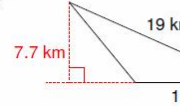


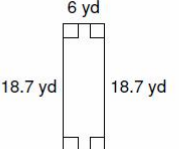
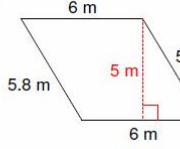
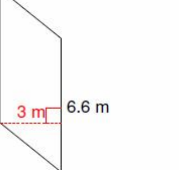
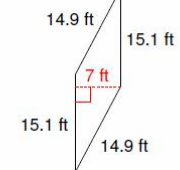
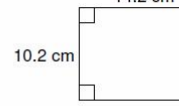
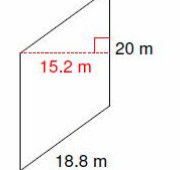
## Area and Perimeter of 2D Shapes

For Part 1,2,3 find AREA only  
For Part 4,5 find AREA and PERIMETER

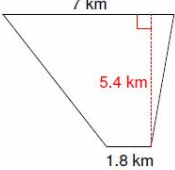
### Part 1: Find the AREA of each triangle

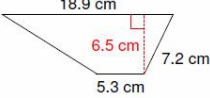
<p>5) </p>	<p>6) </p>
<p>7) </p>	<p>8) </p>
<p>9) </p>	<p>10) </p>

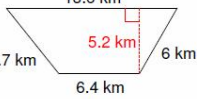
### Part 2: Find the AREA of each 4 sided figure (squares, rectangles, parallelograms, rhombus)

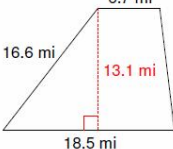
<p>7) </p>	<p>8) </p>
<p>9) </p>	<p>10) </p>
<p>11) </p>	<p>12) </p>

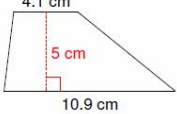
Part 3: Find the AREA of each trapezoid

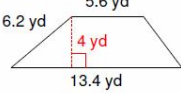
9) 

10) 

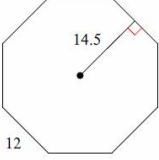
11) 

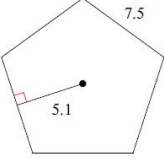
12) 

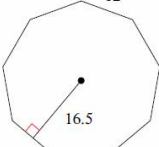
13) 

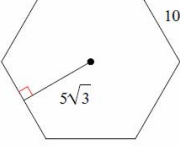
14) 

Part 4: Find the AREA and PERIMETER of each regular polygon

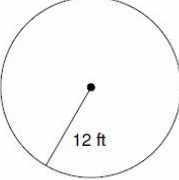
3) 

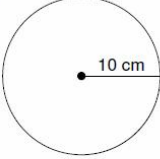
4) 

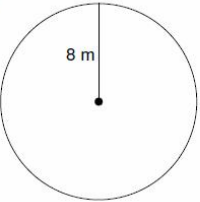
5) 

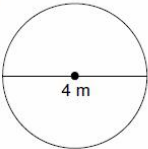
6) 

Part 5: Find the AREA and PERIMETER (circumference) of each circle

9) 

10) 

11) 

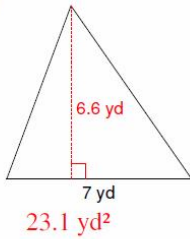
12) 

# Area and Perimeter of 2D Shapes ANSWERS

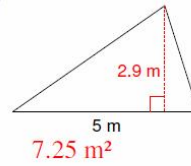
## Part 1: Find the AREA of each triangle

---

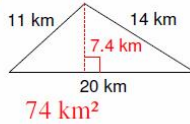
5)



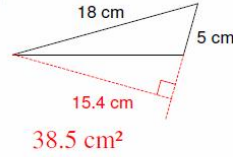
6)



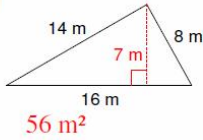
7)



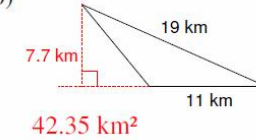
8)



9)



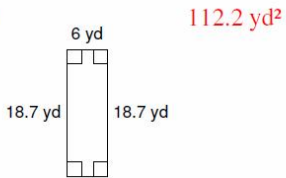
10)



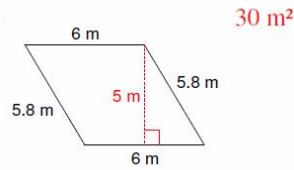
## Part 2: Find the AREA of each 4 sided figure (squares, rectangles, parallelograms, rhombus)

---

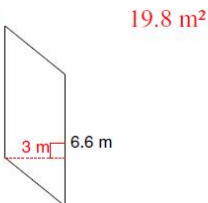
7)



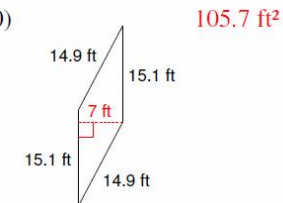
8)



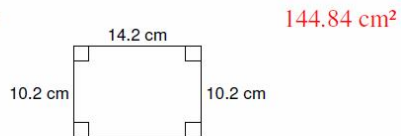
9)



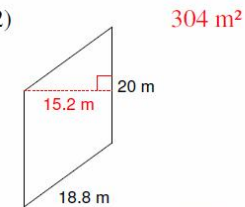
10)



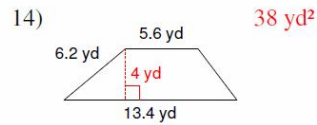
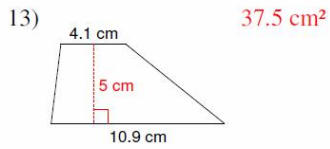
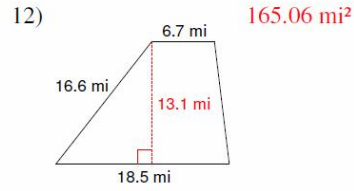
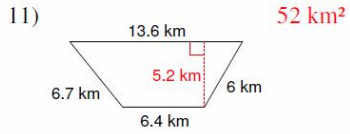
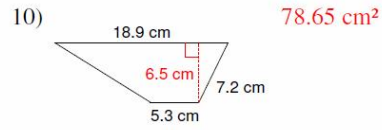
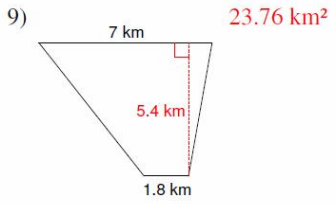
11)



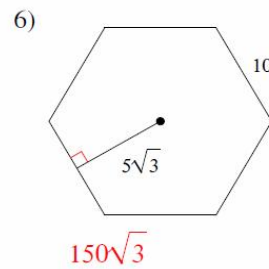
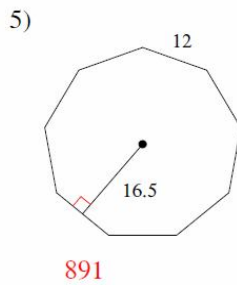
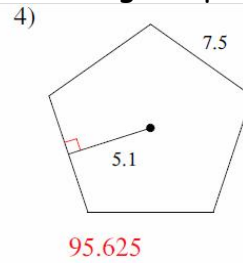
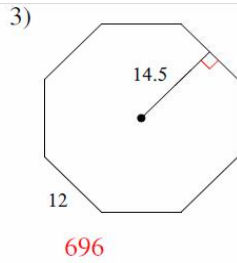
12)



Part 3: Find the AREA of each trapezoid



Part 4: Find the AREA and PERIMETER of each regular polygon



Part 5: Find the AREA and PERIMETER (circumference) of each circle

