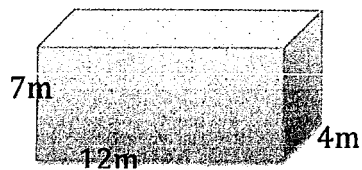
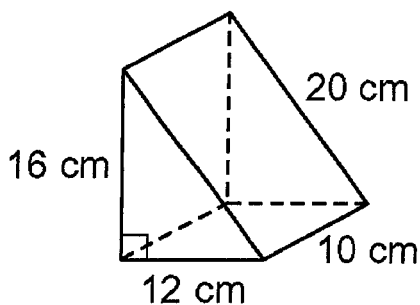


1. Find the area of this rectangular prism. Show all your work.



2. Find the surface area of this triangle. Show all your work.



3. Use Pythagoras formula to find the missing side length.

Show all the steps

Formula: _____

Substitute: _____

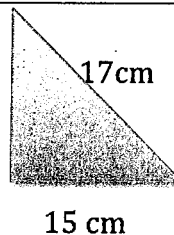
Exponents: _____

Add or Sub: _____

Square Root to find missing side length _____

What is the area of this triangle? _____

What is the perimeter of this triangle? _____



4. Square 49

5. If a rectangle has a width of 7 cm and a length of 32 cm what is the area?

6. Put these numbers in lowest terms

$$\frac{25}{70} =$$

$$\frac{18}{27} =$$

$$\frac{3}{33} =$$

$$\frac{12}{16} =$$

7. Change these improper fractions to mixed numbers

$$\frac{68}{8} =$$

$$\frac{60}{5} =$$

$$\frac{145}{12} =$$

$$\frac{55}{2} =$$

8. Change these mixed numbers to improper fractions and put in lowest terms

$$5 \frac{1}{10} =$$

$$2 \frac{6}{8} =$$

$$8 \frac{5}{6} =$$

