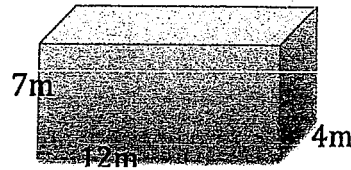
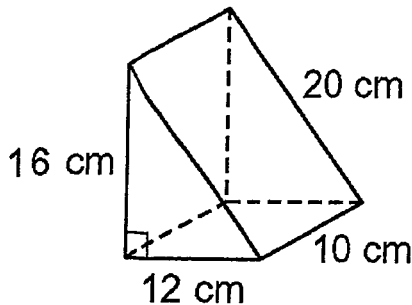


Daily 8 Friday Final#9 Date: _____ Name: _____

1. Find the area of this rectangular prism. Show all your work.



2. Find the surface area of this triangle. Show all your work.



3. Use Pythagoras formula to find the missing side length.

Show all the steps

Formula: _____

Substitute: _____

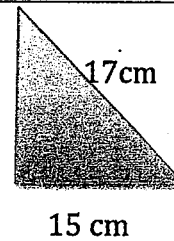
Exponents: _____

Add or Sub: _____

Square Root to find missing side length _____

What is the area of this triangle? _____

What is the perimeter of this triangle? _____



4. Square 49

5. If a rectangle has a width of 7 cm and a length of 32 cm what is the area?

6. Put these numbers in lowest terms

$$\frac{25}{70} =$$

$$\frac{18}{27} =$$

$$\frac{3}{33} =$$

$$\frac{12}{16} =$$

7. Change these improper fractions to mixed numbers

$$\frac{68}{8} =$$

$$\frac{60}{5} =$$

$$\frac{145}{12} =$$

$$\frac{55}{2} =$$

8. Change these mixed numbers to improper fractions and put in lowest terms

$$5\frac{1}{10} =$$

$$2\frac{6}{8} =$$

$$8\frac{5}{6} =$$

1. Calculate the mean, mode, median and range of :

(a) 1, 6, 9, 5, 11, 8, 5, 13, 5.

(b) 23, 11, 17, 12, 14, 29, 30, 11, 29, 19.

(c.) 8, 3, 6, 5, 2, 10, 1, 7, 4, 9.

(d) 103, 134, 109, 112, 121, 148, 134.

(e) 9, 1, 7, 3, 5, 4, 3, 5, 4, 8, 2, 9.

2. This list shows the amounts spent by seven families on their holidays :

\$100, \$400, \$320, \$300, \$5430, \$100, \$350.

(a) Calculate the mean, mode, median and range of these amounts.

(b) Suggest which of the three averages is the most useful indicator of how much a typical family spends on their holiday.

3. A sports shop is offering a discount on a particular type of running shoe. The manager wants to look at the number of each size sold so far in order to predict how many will be sold in the next week. This should hopefully mean that all sizes are available in the shop. Here's the list of all sizes sold:

7, 8, 8, 8, 8, 9, 9, 10, 10, 11, 11,

(a) Calculate the mean, mode, and median of the data.

(b) Which of the three averages is most useful to the manager?

4. The temperature at noon on five days in January were :

Day	Monday	Tuesday	Wednesday	Thursday	Friday
Temperature ($^{\circ}$ C)	6	6	3	2	3

Calculate the mean noon temperature and the range of temperatures.